

USER MANUAL

SONICBOOM® X SMOKEJET

V3.1

2024/07/03



SHOWVEN Technologies Co., Ltd.

Thanks for choosing SHOWVEN® SONICBOOM® X smokejet, we wish it will bring you lots of exciting moments.

Please read the following manual carefully before operating this product.

Δ SAFETY CONSIDERATIONS

- ∨ Unauthorized repair are prohibited, it may cause serious incident
- ∨ This product is not waterproof design, please keep it dry, do not use it when there are fog fluid leakage or wet from rain.
- ∨ Make sure power supply is consistent with the rated voltage of the equipment, and the socket must be well grounded. Unplug and turn off the machine when not use.
- ∨ For adult use only, keep it away from fire, inflammable and explosive articles.
- ∨ Installed in well ventilated area, ensure at least 50cm space around the machine, cover of the nozzle is forbidden.
- ∨ If the machine fails to work, please stop operation and unplug the machine. Check fog fluid, fuse, power connection etc. carefully, if can't solve the problem, please contact SHOWVEN® or your local SHOWVEN® partner for advise.
- ∨ Only use SHOWVEN® original FX-S fog fluid, other fluid may lead to clog or malfunction. Please do not add any other material such as pigment, water etc to the fuel bottle.
- ∨ To avoid fluid spill, make sure fog fluid not exceed related MAXIMUM fluid level line. When install SONICBOOM® in invert direction, the fuel bottle should be installed upward.
- ∨ In case of eye contact of fog fluid, please wash it with clean water. If fluid is swallowed immediately look for medical advice.

Δ Description

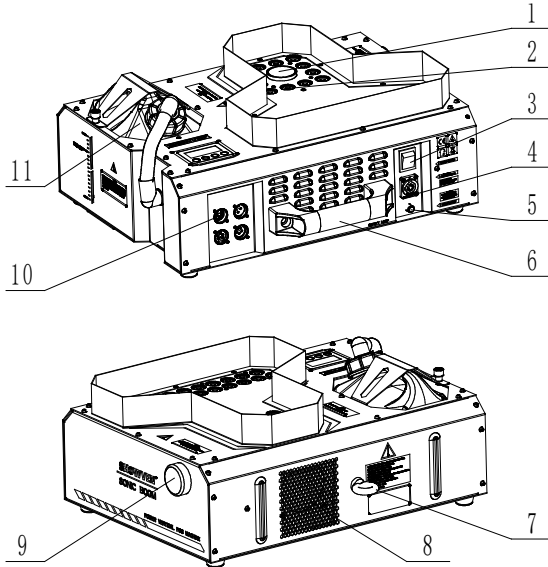
SONICBOOM® X SOMEKJET is a CO₂ jet simulator, it uses fog fluid instead of cumbersome CO₂ tank, which ensures much safer, environmental friendly and with longer effects time. Equipped with 35 pcs of LED can achieve multi color change of the smoke column. Compared with existing vertical fog on the market, SONICBOOM® X smokejet equipped with larger heating block ensures much faster temperature recovery after each firing.

Δ Technical Specifications

- ∨ **MODEL:** SONICBOOM® X
- ∨ **DIMENSION:** 482×408×215mm
- ∨ **WEIGHT:** 17.2kg
- ∨ **VOLTAGE:** 220V/110V, 50/60Hz
- ∨ **FUSE:** 15A/250V
- ∨ **POWER:** 3000W/1500W(220V), 2000W(110V)
- ∨ **LED:** 5W×35pcs
- ∨ **MAX OUTPUT DISTANCE:** 10m

- \ **MAX CONTINUOUS OUTPUT DURATION:** 8s
- \ **SMOKE OUTPUT:** 55000cuft/min
- \ **TANK CAPACITY:** 3L
- \ **FLUID CONSUMPTION RATE:** 5min/L
- \ **DMX CHANNELS:** 1/11
- \ **CONSUMABLES:** FX-S

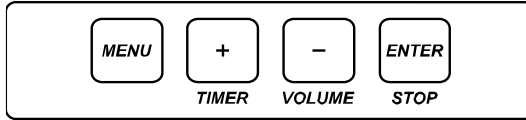
Δ Structure



1. Output Nozzle
2. LED
3. Power Switch
4. Power IN
5. Fuse
6. Handle
7. Safety Loop
8. Cooling Fan
9. Wireless Module (customized, only available on wireless version machine)
10. DMX Socket (SONICBOOM® with only 3-PIN; SONICBOOM® X with both 3-PIN and 5-PIN)
11. Fluid Bottle

Δ Operation Panel

1. Control button area



MENU: Short press to switch interface, press and hold for 3 seconds can switch to the advanced setup interface

+: Parameters up; multiplex "TIMER" (smoke output time)

-: Parameters down; multiplex "VOLUME" (smoke output start)

ENTER: Confirm and save parameters, screen will blink once when save successfully. multiplex "STOP".

NOTE: Screen will switch to main interface automatically if not press any button in about 15s.

Example of "TIMER" setting function in the menu:

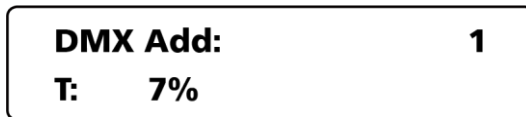
1. "set interval 10s"

2. "set duration 2s"

Press "VOLUME" button under main interface, SONICBOOM® start to generate smoke, and will repeat firing 2s, interval of 10s. Press "STOP" to stop the machine.

Δ Interface

1. Main interface



First line: Display DMX address is "1". ":" blinks when there is DMX IN signal.

Second line: Shows machine core temperature and pressure. The machine ready for operate only when both temperature and pressure value close to 100%.

2. Error information

Error information	Explanation
E2 Temp. Sensor	Temperature sensor fault
E5 Ktemp. Over	Circuit fault
E6 Heat Fail	Heating element damage or circuit fault

3. Setting Menu:

Press "MENU" switch through setup menu.

Options	Range	Default	Explanation
Set DMX Address	1~507	1	Set DMX address
Power Set	Standard / Half Power	Standard Power	Setting working power for the machine
Color Optional	OFF/Red/Green/Blue/Pink/Purple/Orange/Yellow/Sky blue/White /Rand	OFF	LED color set when manual firing
Single Channel	ON/OFF	OFF	Single channel mode set
LED Delay	OFF-3.0s	0.5s	LED delay after smoke output stop

4. Advanced Menu:

Press "MENU" for 3s, enter advanced setting interface

Options	Range	Default	Explanation
Manual Evacuate	ON/OFF	OFF	Manual Evacuate when pressure always insufficient
Drive Test	Jet valve/stop valve/OFF	OFF	Test Jet valve / Return valve works normally or not
Interval Set	1-200s	30s	Interval time
Duration Set	1-14s	3s	Smoke output duration
Wireless Remote	ON/OFF	OFF	Wireless ON/OFF switch, for customized wireless version machine only
Language	Chinese/English	English	Language switch
Manual Pump	ON/OFF	OFF	Manual turn on the pump, for maintenance

Δ DMX Control

There are two DMX channel mode for SONICBOOM® X, single channel mode and 11 channel mode.

11 channels mode

SONICBOOM® occupies 11 DMX channels.

Channels	Function
Channel 1	Fog ON/OFF: (0-5) OFF, (6-255) ON
Channel 2	Inner LED RED: (0-9) OFF, (10-255) LED brightness increase
Channel 3	Inner LED GREEN: (0-9) OFF, (10-255) LED brightness increase
Channel 4	Inner LED BLUE: (0-9) OFF, (10-255) LED brightness increase
Channel 5	Outer LED RED: (0-9) OFF, (10-255) LED brightness increase
Channel 6	Outer LED GREEN: (0-9) OFF, (10-255) LED brightness increase
Channel 7	Outer LED BLUE: (0-9) OFF, (10-255) LED brightness increase
Channel 8	LED Random: (0-9) OFF, (10-255) LED random color, use together with channel 9.

Channel 9	LED color change speed: (0-9) OFF, (10-255) LED color change speed increase
Channel 10	LED strobe: (0-9) OFF, (10-255) LED strobe increase
Channel 11	LED dimmer: (0-9) OFF, (10-255) LED brightness increase

NOTE: Manual function disabled when DMX connected.

Single channel mode

Fog output and LED color controlled in the same channel.

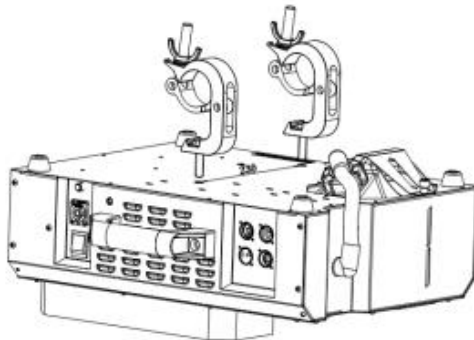
DMX value	Function
0-5	FOG OFF
6-40	FOG ON – LED OFF
41-60	FOG ON - RED
61-80	FOG ON – GREEN
81-100	FOG ON – BLUE
101-120	FOG ON - PINK
121-140	FOG ON – PURPLE
141-160	FOG ON – ORANGE
161-180	FOG ON – YELLOW
181-200	FOG ON – SKY BLUE
201-220	FOG ON – WHITE
221-235	FOG ON - RANDOM
236-255	FOG ON – LED OFF

Δ Operation Guide

1. Installation

SONICBOOM® can be installed in any direction even upside down. But please watch out for the fog fluid leakage from the bottle.

For upside-down installation, please remove the bottom panel of fluid tank, and installed to the other side (top panel), the fluid tank should installed upward as below picture. For safety, hanging installation should install safety rope.



2. Fill the machine

Fill the fluid bottle with fast dissipate fog fluid. Please not exceed the maximum fuel level when filling.

For best effect please use SHOWVEN® original fluid FX-5. Improper use of fluid will lead to machine malfunction. Warranty will be void if any other type of fog fluid is used.

3. Power ON SONICBOOM®

Connect the machine to suitable rated power supply. Make sure power supply is consistent with the rated voltage of the equipment, and the socket must well grounded.

Turn on the machine and allow it to heat up.

There are Standard power mode and Half power mode switchable for 220V version SONICBOOM® X, based on the power supply circumstance operator can switch the power mode in the menu. When in Low power mode the heating up time will be longer.

4. DMX setting

Set DMX address for each machine. Connect machines with DMX cable in series.

Suggest to plug in a DMX terminator into the DMX out in last unit of machine.

If operate manually or with wireless remote (customized wireless version), there is no need to connect DMX cable.

5. Firing

Once the machine has reached operating temperature, the LCD display will show "T: 100%". Now the machine is ready for operation.

Manual operation: Press the " - / VOLUME" button to start making fog, press " + / STOP" to stop.

DMX control: please operate according to the DMX control table.

6. Power OFF and packing

After each show please turn off machine, allow it cool down before packing the machine.

Whenever ship the machine, please empty the fluid bottle to avoid fog fluid spill out from fluid bottle during delivery.

Δ Wireless Control Information (customized version)

When use wireless remote control, please unplug DMX cable connection on machine, set Wireless Setup at ON status, match the remote controller with machine.

Remote controller

A: OFF / SET, Firing OFF, SET means match machine with remote controller.

B: ON – LED WHITE

C: ON – LED OFF

D: ON – LED color set on machine (the color selected at color optional)



Δ FAQ

Fluid spill

Fluid spill because heat can't effectively transmit to fog fluid, leads to insufficient atomization of the fog fluid in the heating pipe.

Possible Reasons:

Use low quality fog fluid instead of SHOWVEN® original fog fluid.

Use inappropriate fog fluid. For different types of fog fluid, the atomization temperature is different.

Heating block pipe clog

Early symptom for heating aluminum pipe clog is fog fluid spill caused by insufficient atomization. Use other brand fluid or not make regular maintenance for a long time will definitely leads to pipe clog.

Solution for above problem:

Use SHOWVEN® original fog fluid.

Make regular maintenance. Use distilled water to wash the pump and pipe system by running the machine 10-15 times.

Δ Maintenance

1. Running the machine at least once per month.
2. Check the filter in fluid tank before each show, clean or replace it when it is necessary.
3. Clean machine regularly avoid dust, liquid accumulate on the machine.
4. Whenever storage or not use the machine for a period of time, please use distilled water to wash the pipe system by filling the fluid bottle with distill water and firing the machine several times.

Δ **Warranty Instructions**

- ✓ Sincere thanks for your choosing our products, you will receive quality service from us.
- ✓ The product warranty period is one year. If there are any quality problems within 7 days after shipping out from our factory, we can exchange a brand new same model machine for you.
- ✓ We will offer free of charge maintenance service for machines which with hardware malfunction (except for the instrument damage caused by human factors) in warranty period. Please don't repair machine without factory permission.

Below situations NOT included in warranty service:

- ✓ Damage caused by use other type of fog fluid which is not SHOWVEN® FX-S.
- ✓ Damage caused by improper transportation, usage, management, and maintenance, or damage caused by human factors;
- ✓ Disassemble, modify or repair products without permission;
- ✓ Damage caused by external reasons (lightning strike, power supply etc.)
- ✓ Damage caused by improper installation or use;

For product damage not included in warranty range, we can provide paid service. Invoice is necessary when applying for maintenance service from SHOWVEN®.

SHOWVEN[®]



Showven Technologies Co., Ltd.

Tel: +86-731-83833068

Web: www.showven.cn E-mail: info@showven.cn

Add: No.1 Tengda Road, Liuyang Economic & Technical Development Zone, Changsha, Hunan,
410300, P.R.China