

USER MANUAL

X-S3000 PRO FOG MACHINE

V2.1
2024/06/25



SHOWVEN Technologies Co., Ltd.

Thanks for choosing SHOWVEN® X-S3000 PRO FOG MACHINE, we wish it will bring you lots of exciting moments.

Please read the following manual carefully before operating this product.

Δ SAFETY CONSIDERATIONS

- ∨ X-S3000 can be used in both indoor and outdoor, but please keep the machine clean and dry.
- ∨ Before connecting machine to power, make sure power supply is consistent with the rated voltage of the equipment. Always connect to a grounded circuit to avoid risk of electric shock.
- ∨ Disconnect the machine from AC power when not in use.
- ∨ This product is not waterproof design, please keep it dry, please do not use it when there are fog fluid leakage or wet from rain.
- ∨ No user serviceable and modifiable parts inside the machine, never try to repair or modify this product, unauthorized technician may lead machine to damage even risk of cause fire.
- ∨ For adult use only, keep it out of reach of children, and away from fire, inflammable and explosive articles.
- ∨ Installed in well ventilated area, ensure at least 50cm space around the machine, cover of the nozzle is forbidden.
- ∨ Never use the machine under high temperature.
- ∨ Never fill the fluid tank with flammable liquid such as grease, gas, perfume etc.
- ∨ If the machine fails to work, please stop operation and unplug the machine. Check fog fluid, fuse, power connection etc. carefully, if can't solve the problem, please contact SHOWVEN® or your local SHOWVEN® partner for advises.
- ∨ Only use SHOWVEN® original FX-M/FX-BM medium fog fluid
- ∨ Fog fluid is not drinkable, if swallowed immediately look for medical advice. In case of eye contact of fog fluid, please wash it with clean water.

Δ Description

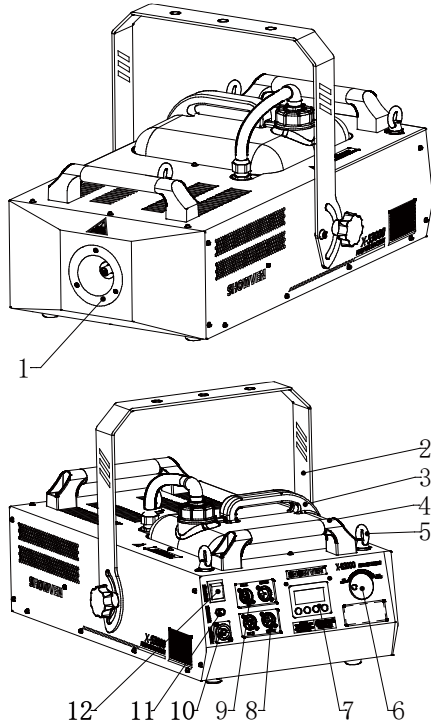
X-S3000 PRO FOG MACHINE is a professional fog machine designed by SHOWVEN®, with optimized atomizer and high precision control circuit, as well as user friendly rotary output control button, ensure X-S3000 generate uniform smoke effect to be suitable for different scenarios.

Δ Technical Specifications

- ∨ Model: X-S3000
- ∨ Dimension: 660×404×290mm
- ∨ Weight: 16.6kg
- ∨ Power: 3000W (220V), 2000W (110V)
- ∨ Heat-up time: 7min (220V Version), 12min (110V Version)

- \ MAX continuous output duration: 40s (Max output), continuously (Low output)
- \ Fog output: 40000cuft/min
- \ Tank capacity: 9L
- \ DMX channels: 1 channel

Δ Product Overview



1. Nozzle
2. Hanger
3. Fuel Tank
4. Handle
5. Safety Loop
6. Rotary Output Control Button
7. LCD Screen
8. 5-pin DMX
9. 3-pin DMX
10. Power Socket
11. Circuit Breaker
12. Power Switch

Δ Manual Operation on Control Panel

To operate the machine manually on control panel, please disconnect DMX communication cable first.

1. Buttons on Control panel

DMX Add:	1
T:	6% Warm up

MENU: switch through setup menu

UP: Parameters up; multiplex "TIMER" (fog output time)

DOWN: Parameters down; multiplex "VOLUME" (fog output start)

ENTER: confirm and save parameters, multiplex "STOP"

Rotary output control button: spin clockwise increase output; spin anti-clockwise decrease output; Press to activate/stop fog output

Δ Setting Menu

1. Main Interface:

- i) DMX address
- ii) Machine heating core temperature
- iii) Error information

2. Error information:

Error	Explanation
E0 System IC	Circuit fault
E2 Temp. Sensor	Temperature sensor fault
E5 K Temp. Over	Circuit fault
E6 Heat Fail	Heating element damage or circuit fault

3. Setting Menu:

Press "MENU" to switch through setup menu

Items	Value	Explanation
DMX Address	1~511	DMX address
Interval Set	1~200s	Interval time
Duration Set	1~200s	Fog output duration
Volume Out	1%~100%	Fog output volume
Wireless Set	ON/OFF	Wireless ON/OFF switch
语言(Language)	中文/English	Language switch

Δ DMX control

Pro fog machine X-S3000 occupies only a single channel:

0-5 fog OFF;

6-255 increase the output volume.

Δ Operation Panel

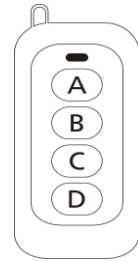
1. Wireless Operation:

X-S3000 with built-in wireless function, the effective distance in an open space is around 10m. Remote control works only when machine reached operating temperature, wireless function of machine is ON and no DMX in signal. There are four buttons on the remote control:

A: Turn on the machine;

B: turn off the machine;

C&D is invalid.



1.1 Match X-S3000 with remote control

① Match when turn on the machine. When turn on the machine, "Wireless Setup" appears on the LCD screen, within 6s, you can match the remote with machine by press any key on remote for 1s. If the match was successful, the LCD screen will flash twice, and shows "match successful" on screen.

② Match when X-S3000 already turned on. Switch to "Wireless Set" interface, ensure the wireless function was ON. Press any key on remote for 1s. If the match was successful, the LCD screen will flash twice.

1.2 X-S3000 operation with remote control

Press A, X-S3000 start to generate fog; Press B, it stops working.

Under wireless control status, adjust fog amount through rotary output control button at the rear panel of machine, the volume amount shows on LCD screen "Volume Out". 1% means minimum output. 100% means maximum output.

NOTE:

① When match the remote control with machine, release the button only when LCD screen flashed twice.

② If set the wireless function of the machine OFF, when turn on the machine, it won't shows "Wireless Setup" interface.

③ If under DMX control status, the wireless function of machine will void.

Δ **Maintenance**

1. Use SHOWVEN® original fog fluid FX-M or FX-BM.
2. Check the filter in fluid tank before each show, clean or replace it when it is necessary.
3. Running the machine at least once per month.
4. Clean machine regularly avoid dust, liquid accumulate on the machine.
5. Whenever storage or not use the machine for a period of time, please use distilled water to wash the pipe system by filling the fluid bottle with distilled water and firing the machine several minutes.

Δ **Warranty Instructions**

- √ Sincere thanks for your choosing our products, you will receive quality service from us
- √ The product warranty period is one year. If there are any quality problems within 7 days after shipping out from our factory, we can exchange a brand new same model machine for you
- √ We will offer free of charge maintenance service for machines which with hardware malfunction (except for the instrument damage caused by human factors) in warranty period. Please don't repair machine without factory permission

Below situations NOT included in warranty service:

- √ Damage caused by use other type of fog fluid which is not SHOWVEN FX-M or FX-BM.
- √ Damage caused by improper transportation, usage, management, and maintenance, or damage caused by human factors;
- √ Disassemble, modify or repair products without permission;
- √ Damage caused by external reasons (lightning strike, power supply etc.)
- √ Damage caused by improper installation or use;

For product damage not included in warranty range, we can provide paid service. Invoice is necessary when applying for maintenance service from SHOWVEN®.

SHOWVEN[®]



Showven Technologies Co., Ltd.

Tel: +86-731-83833068

Web: www.showven.cn E-mail: info@showven.cn

Add: No.1 Tengda Road, Liuyang Economic & Technical Development Zone, Changsha, Hunan,
410300, P.R.China