

USER MANUAL

KABUKI DROP

V1.0

2024/10/01



Thanks for choosing SHOWVEN® KABUKI DROP, we wish it will bring you lots of exciting moments.

Please read the following manual carefully before operating this product.

Δ **SAFETY CONSIDERATIONS**

- ∨ Unauthorized repair are prohibited, it may damage the device.
- ∨ Make sure power supply in consistent with the rated voltage of the equipment, and the socket must well grounded.
- ∨ Before each use, please fully inspected KABUKI DROP to ensure it in good condition; check that the power cord is not damaged and the plug is intact to ensure electrical safety.
- ∨ Operate in accordance with the rated load of the equipment and do not overload it. Overloading may cause damage to the equipment or even cause safety accidents; before use, the weight of the curtain or items to be hoisted should be accurately measured and confirmed to ensure that it does not exceed the loading capacity of the equipment.
- ∨ The KABUKI DROP should not be used in humid, high temperature, corrosive gas or flammable and explosive environments to avoid affecting the performance of the equipment or causing safety accidents; prevented KABUKI DROP from contacting conductive objects or liquids to prevent short circuits or electric shock accidents.
- ∨ Regularly maintain and service the KABUKI DROP, including always keep it clean, checking the wear of the hook, replacing worn parts etc.;
- ∨ The device shall not be altered and applied to other use purpose.

Δ **Description and features**

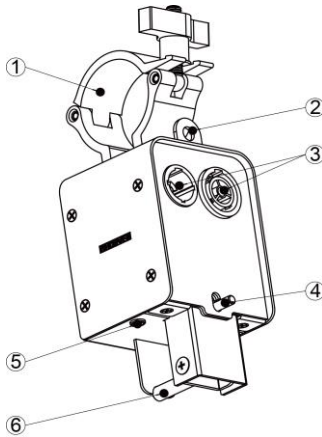
SHOWVEN KABUKI DROP is a compact and exquisite designed reliable device for drops of curtains, open up balloons, unroll of banners or any other objects on stages. It is a direct on-off system with 20kg loading capacity.

- ∨ Compact and exquisite design
- ∨ Simple structure, extremely reliable
- ∨ PowerCON TRUE1 TOP chassis connectors
- ∨ Powerful electromagnet, 20kg load capacity
- ∨ Quick and easy to install
- ∨ Simple to operate, direct on-off control

Δ **Technical Specifications**

- ∨ **MODEL:** KABUKI DROP X-D1
- ∨ **DIMENSION:** 76.5×82.5 ×230mm
- ∨ **WEIGHT:** 1kg
- ∨ **VOLTAGE:** AC 220-240V / AC 100-120V,50/60Hz
- ∨ **FUSE:** 15A/240V
- ∨ **POWER:** 30W
- ∨ **Max. LOADING CAPACITY:** 20kg

Δ Product Overview

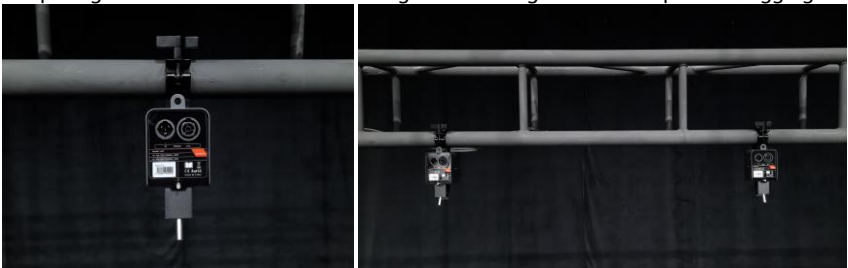


1. Clamp
2. Safety Loop
3. Neutrik PowerCON TRUE1 TOP IN/OUT
4. Reset Rod
5. Power Indicator
6. Drop Hook

Δ Operation

1. Installation

- 1) Check the machine and accessories, ensure it is in good status. Hanging the drop units vertically on a horizontal installed truss.
- 2) Take the width of your cloth or objects that has to be dropped and determine the first and last KABUKI DROP have to be installed.
- 3) Place the other KABUKI DROPS between the first and last unit of KABUKI DROP, the spacing distance should be set according to cloth weight as well as prevent sagging.



2. Connect KABUKI DROP with PowerCON TRUE1 TOP

- 1) Connect the first unit of KABUKI DROP with Power cable.
- 2) Connect the next KABUKI DROP with PowerCON TRUE1 TOP Link Cable as show below.
- 3) Never cascade connect more than 25 units of KABUKI DROPS to a standard 16A power cable.



3. Power ON KABUKI DROPS to test it

- 1) Conect Power cable to suitable rated power supply. Please ensure power supply meets the requirement. Always connect the machine to a protected circuit and ensure it is properly grounded.
- 2) Check if all KABUKI DROP's red LED indication light is ON and drop hook have been opened after KABUKI DROPS connect with power supply.



4. Hang up the cloth or other objects

- 1) Disconnect the power supply.
- 2) Sliding the rings in the cloth over the drop hook and then lock the drop hook by pushing Reset Rod upwards



5. SAFETY

Always use a qualified safety cable to attaching the KABUKI DROP to truss for extra safety whenever use the KABUKI DROP.



6. DROP it!

Once you have hung up the cloth or objects your KABUKI DROPS are ready for use. Activate the DROPS by supply the system with rated power.

7. Clean the pack the KABUKI DROP

- 1) Unplug the power cable, connect all KABUKI DROPS after each show.
- 2) Clean it and pack it back to the suitcase.



Δ **Warranty Instructions**

- ∨ Sincere thanks for your choosing our products, you will receive quality service from us.
- ∨ The product warranty period is one year. If there are any quality problems within 7 days after shipping out from our factory, we can exchange a brand new same model machine for you.
- ∨ We will offer free of charge maintenance service for machines which with hardware malfunction (except for the instrument damage caused by human factors) in warranty period. Please don't repair machine without factory permission.

Below situations NOT included in warranty service:

- ∨ Damage caused by improper transportation, usage, management, and maintenance, or damage caused by human factors;
- ∨ Disassemble, modify or repair products without permission;
- ∨ Damage caused by external reasons (lightning strike, power supply etc.)
- ∨ Damage caused by improper installation or use;

For product damage not included in warranty range, we can provide paid service. Invoice is necessary when applying for maintenance service from SHOWVEN®.

SHOWVEN[®]



Showven Technologies Co., Ltd.

Tel: +86-731-83833068

Web: www.showven.cn E-mail: info@showven.cn

Add: No.1 Tengda Road, Liuyang Economic & Technical Development Zone, Changsha, Hunan,
410300, P.R.China